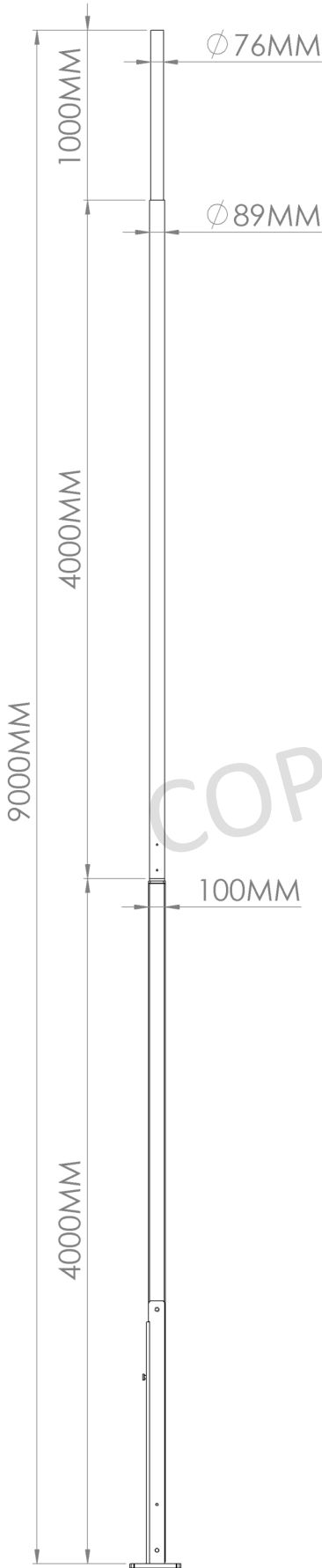


EZYwinch EW-HD2P-9.0M



Description

Manufactured in 2 sections to assist with transport and installation, the EZYwinch pole is our most widely used pole due to its versatility and ability to hold heavy loads up to 9.5 meters.

The pole is lowered and raised with the aid of a detachable winch frame that attaches to the lower section of the pole. The pole effortlessly and safely lowers to the ground and can be easily raised back up to its upright position.

Specifications

Product code:	EW-HD2P-9.0M
Pole height:	9m
Pole height (Inc. adaptor):	N/A
Weight (Inc. base):	approx. 152kg
Pole top diameter:	76mm
Maximum load capacity:	40kg*
Overall shipping dimensions (L/W/H mm):	5000/300/300
Wind Region:	A, B

*Maximum load to be confirmed with engineering report from EZYpole

Persons required for installation



Installation time

30-45
minutes

250 P.C.D.
&
300 P.C.D.